

## Repair a Cistern

- Easy to follow step-by-step guide
- Important and handy tips
- Materials check list
- Project cost estimator



Before you begin your exciting new project, please read through this entire pamphlet carefully and estimate and assemble all the materials you will need for the project and gather your tools and equipment together. Refer to the checklist and estimating form on the back panel of the pamphlet to assist in this preparation. If you require any help, please don't hesitate to speak with one of Colli's experienced trade team.

We take the **hard** out of hardware.

[colli.com.au](http://colli.com.au)

**colli**

TIMBER AND HARDWARE 1969-2009



# DIY Cistern Repairing made easy

**Before you begin your exciting new project**, please read through this entire pamphlet carefully and estimate and assemble all the materials you will need for the project and gather your tools and equipment together. Refer to the checklist and estimating form on the back panel of the pamphlet to assist in this preparation. If you require any help, please don't hesitate to speak with one of Colli's experienced trade team.

## To replace a toilet suite

If you need to replace the entire toilet suite (cistern and pan), it is imperative that you engage the services of a qualified Plumber in order to ensure that the installation meets with local water and sewerage regulations. To find a local and reputable Plumber in your area, it is always a good idea to contact your local branch of the Master Plumber's Association.

When searching for suitable suites and accessories, you'll find that Colli stock a fantastic range of toilet suites, bathroom accessories, taps, basins, baths and shower units which will be ideal for your bathroom or toilet makeover.

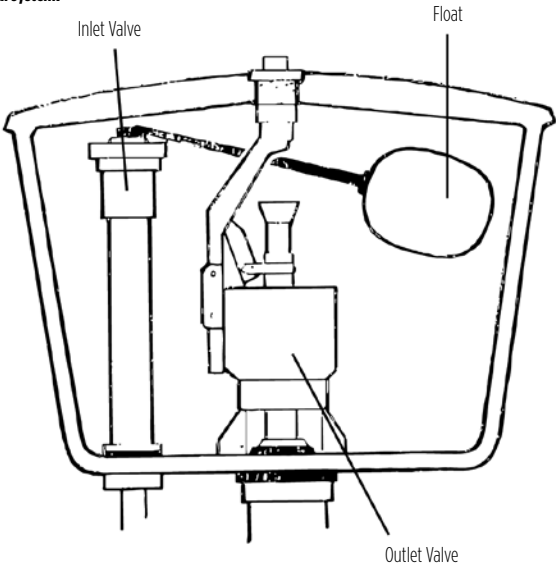
# You can repair a leaky cistern

## Leaky cisterns

In most cases, toilet cisterns leak due to worn or damaged washers in either the inlet or outlet valve. If your cistern is leaking, here are some handy tips on how to identify and locate the cause.

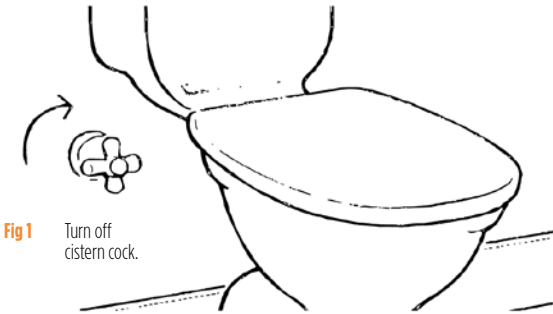
- If you can hear water continually running into the cistern and flowing out the overflow, you may need to replace the inlet valve rubbers. Alternatively, if there is a screw adjuster on the float arm, a slight adjustment may enable the inlet valve to close off.
- Water can also leak past the outlet valve washer into the pan. Initially, turn off the cistern cock (the tap on the water inlet) and see if water continues to run into the pan. If the water continues to run, you'll find that the outlet valve seating washer is faulty and will need replacing.
- If the button must be held down to allow water to be flushed into the pan, rather than the valve staying open for several seconds, you probably have a faulty outlet valve suction washer.

### Typical system.



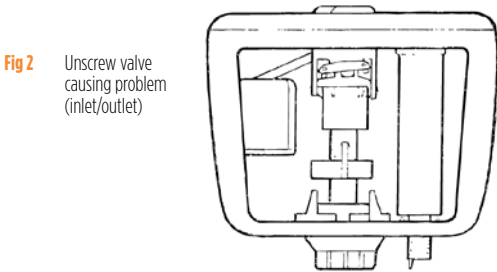
## To replace cistern washers:

- Initially, turn off the cistern cock (Fig 1) and flush the toilet to empty all the remaining water out of the cistern.



**Fig 1** Turn off cistern cock.

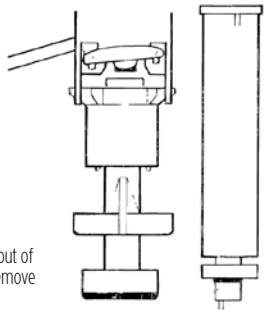
- Unscrew the valve that is causing the problem (inlet or outlet) from bottom of cistern (Fig 2).



**Fig 2** Unscrew valve causing problem (inlet/outlet)

- Next, carefully lift the valve completely out of the cistern, disassemble it and remove the faulty washers (Fig 3).
- Replace with your new washers and re-assemble the valve.
- Return the valve to the cistern, tighten the screws when in place and turn cistern cock back on.

**Fig 3** Lift valve out of cistern. Remove washers

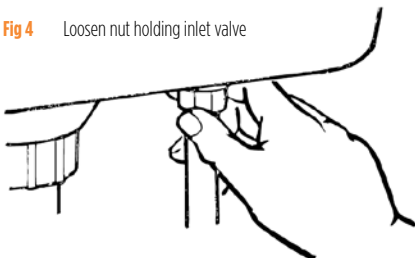


As the size of washers and cisterns vary, it may be advisable to disassemble the faulty valve and bring the old washers into your local Colli store. Once of our experienced team will then assist you in choosing the correct size replacement washers.

## Replacing a cistern

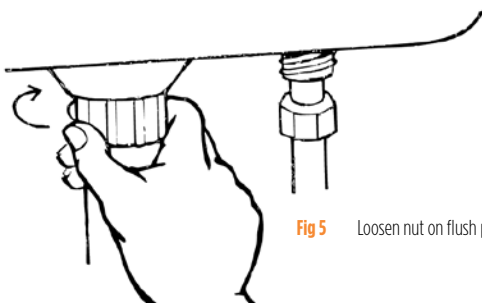
- Firstly, turn off the water at the cistern stop cock (the tap on the wall) beneath the cistern (see Fig 1).
- Flush the toilet to empty the cistern of all water and then loosen the nut holding the inlet valve at the bottom of the cistern (see Fig 4).

**Fig 4** Loosen nut holding inlet valve



Loosen the nut on the flush pipe leading from the cistern into the pan (see Fig 5).

- Remove the cistern mounting screws that attach the cistern to the wall (they will be found inside the cistern at the top of the unit) and lift the cistern off the inlet pipe.
- To install your new cistern, simply follow the above steps in reverse order.



**Fig 5** Loosen nut on flush pipe

## Tips

- We recommend that you replace all the valve washers in your cistern at the one time, even if some are not leaking.
- If the cistern is an old model, consider replacing the complete valve units with newer, modern types. You'll find that modern inlet valve units are much quieter and will considerably prolong the life of an old cistern.

## Project Cost Estimator

Repair Materials	Quantity	Cost
Replacement Washers		
Inlet or Outlet Valves (if necessary)		
Replacements Materials		
Correct Replacement inlet/outlet washers		
Replacement Valves (if required)		
Replacement Cistern if necessary		
Fixing Screws		
Equipment		
Screw Driver		
Pliers		
Adjustable Wrench (Shifting Spanner)		
Total		

**All the materials you need for this job are available at Colli, your DIY specialist.**

**Disclaimer:** Please note that this brochure is designed as a guide only - if you have any queries, please consult one of our Colli Team Members for further assistance. The information provided in this brochure is done so on the understanding that Colli Timber and Hardware is not liable for any loss or damage which is suffered or incurred, for any personal injury or property damage as a result of using the information contained in the Colli DIY Projects brochure. Colli Timber and Hardware advises you to call in a qualified tradesperson, such as an electrician or plumber, where expert advice and services are required.

**Note:** Please ensure you comply with local council laws or regulations before undertaking any DIY project.

SB091805COL

### OPEN SEVEN DAYS A WEEK

Mon - Fri, 7am - 5.30pm | Sat - Sun, 8am - 5.00pm

Public Holidays, 8am - 5.00pm

#### MALAGA

31 Kent Way  
Tel 9249 2699  
Fax 9249 2701

#### KELMSCOTT

115 Brookton Hwy  
Tel 9390 4499  
Fax 9390 8033

#### PORT KENNEDY

2 Blackburn Drive  
Tel 9524 6222  
Fax 9524 6211

We take the **hard** out of hardware.

[colli.com.au](http://colli.com.au)

**colli**

TIMBER AND HARDWARE 1969-2009

